

Mountable USB cable Af Am right angled UP 20cm

Product number CU-VUP-02

Length 200mm



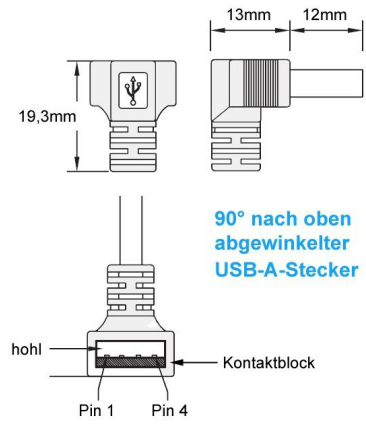
Product description

Mountable USB cable for industrial applications, plug type A (male, 90° angled UP) to type A female (mountable with 2 screws), 20cm, double shielded, twisted pair, for USB 1.1 und USB 2.0 (up 480 MBit/s)

Specifications

- USB 2.0 panel mount cable / USB rear cable
- connector 1: mountable USB 2.0 type A female (with screws)
- the molded screw-style A connector enables easy connection to a faceplate or machined port
- screw distance (mountable female side): 26mm
- connector 2: USB 2.0 type A male **angled 90° UP space-saving solution**
- PREMIUM cable quality
- double shielded: foil and braid shielding reduces EMI/RFI interference
- copper wires with 28 AWG/1P (data, twisted pair), 24 AWG/2C (5V)
- twisted pair construction helps to reduce crosstalk thus ensuring high speed and error-free data transfer
- UL cable material E238846 UL AWM 2725 80°C 30V VW-1 28AWG/1P 24AWG/2C USB CABLE CHINGLUNG
- cable diameter app. 5mm
- compatible USB 2.0 and backwards compliant USB 1.1
- supports USB 2.0 High Speed 480 Mbps, USB 1.1 Full Speed 12 Mbps, USB-1.1 Low Speed 1.5 Mbps
- 2 screws included (pre-assembled), screw type UNC 4/40
- RoHS compliant
- customs tariff number: 85444290
- colour: black
- e.g. for industrial applications, rear panel brackets, internal USB extensions

More images





26mm
Schraubenabstand
spacing of the screws
espacement des vis

