

# USB mini B extension ALL 5 PINS CONNECTED 1-to-1 20cm

**Product number** CU-XB05-02

**Length** 200mm



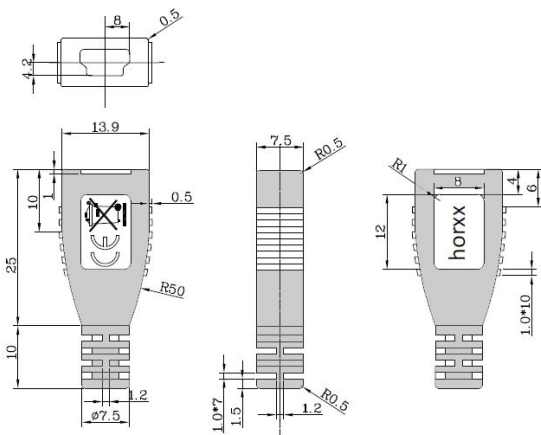
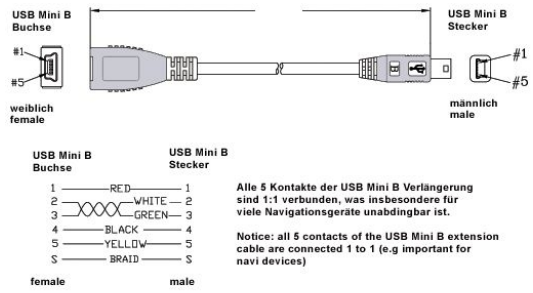
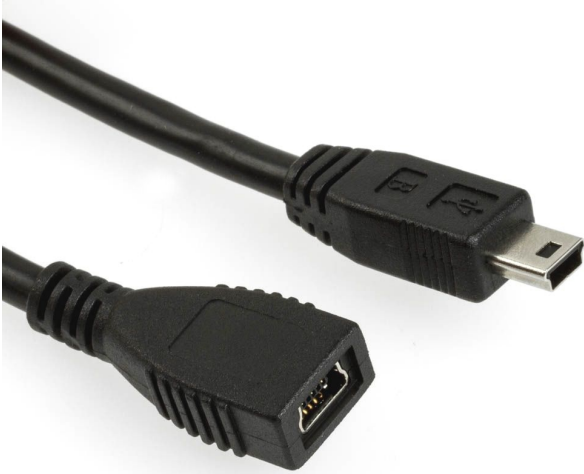
## Product description

USB 2.0 mini B extension cable, 20cm, type USB mini B male to USB mini B female (connection 1-to-1 all 5 contacts), e.g. for satellite navigation, USB hard disks, cameras

## Key features

- very short USB 2.0 Mini B extension
- male to female, plug to socket
- length about 0.2 metres | 20cm
- SPECIAL FEATURE: Assignment 1:1 all 5 contacts
- pinout (male-female): 1-1, 2-2, 3-3, 4-4, 5-5, shield-shield
- USB Mini B male (5-pin) to USB Mini B female (5-pin)
- PREMIUM quality
- wire gauges: 28AWG/1P + 24AWG/3C (copper)
- double shielded with foil shielding and braided shielding
- shielded connectors
- cable diameter: approx. 5mm
- transmission: Data & BusPower (5V)
- USB 2.0 compatible & downward compatible USB 1.1
- suitable for 480 MBit/s (high speed), 12 MBit/s (full speed) and 1.5 MBit/s (low speed)
- colour: black
- customs tariff number: 85444290
- e.g. for navigation devices, battery charging, PDAs, smartphones, mobile phones, hard drives
- CE, WEEE, RoHS compliant

More images



## USB Mini B



5-polig Trapezform  
5 pins trapezium shape  
5 contacts trapèze

